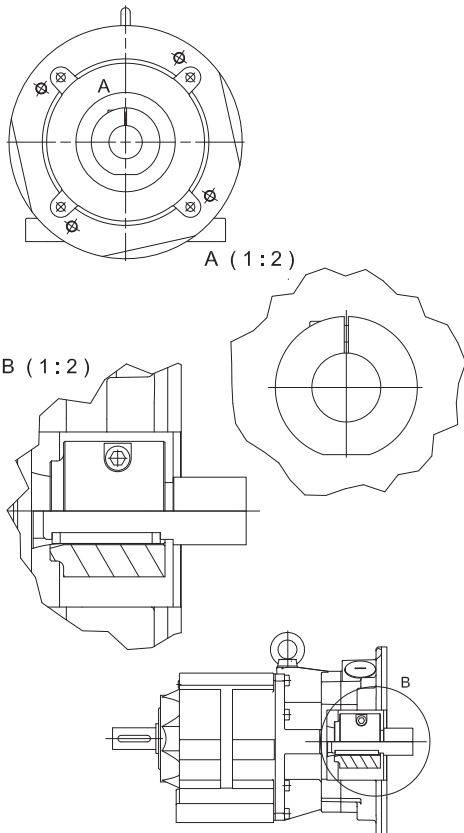




#### Characteristics of the C-Adapter:

- Installation space optimised
- Adaptation of IEC standard motors
- Adaptation of NEMA standard motors
- Free backlash torque transmission between motor and gear unit
- Simple assembly and disassembly of the motors
- Protection enclosure IP 54 and IP 65
- According to ATEX standard
- Maintenance-free coupling



# Bauer Gear Units with C-Adapter for Standard Motor Connection

Simple and fast adaptation of standard motors

Bauer Gear Motors supplies modern drive solutions for all industry sectors where material must be moved.

Through their robustness, compact and efficient design the gear units from Bauer Gear Motors under the Boston Gear brand stand for long lifetime and powerful duty under hard working conditions.

The simple and cost effective installation, the minor service necessity and the high efficiency reduce costs throughout the whole life of the drive.

The C-adapter provides a cost effective and installation space optimised adaptation of standard IEC and NEMA motors.

| Gear unit | Adaptable IEC motor sizes |    |    |    |    |     |     |     |     |     |     |     |     | Adaptable NEMA TC motor sizes |     |              |              |     |     |              |              |              |              |              |
|-----------|---------------------------|----|----|----|----|-----|-----|-----|-----|-----|-----|-----|-----|-------------------------------|-----|--------------|--------------|-----|-----|--------------|--------------|--------------|--------------|--------------|
|           | 56                        | 63 | 71 | 80 | 90 | 100 | 112 | 132 | 160 | 180 | 200 | 225 | 250 | 280                           | 56C | "143<br>145" | "182<br>184" | 213 | 215 | "254<br>256" | "284<br>286" | "324<br>326" | "364<br>365" | "404<br>405" |
| BG04      | x                         |    |    |    |    |     |     |     |     |     |     |     |     |                               |     |              |              |     |     |              |              |              |              |              |
| BG05      | x                         | x  |    |    |    |     |     |     |     |     |     |     |     |                               |     |              |              |     |     |              |              |              |              |              |
| BG06      | x                         | x  | x  | x  |    |     |     |     |     |     |     |     |     |                               |     | x            |              |     |     |              |              |              |              |              |
| BG10      |                           | x  | x  | x  | x  |     |     |     |     |     |     |     |     |                               | x   | x            |              |     |     |              |              |              |              |              |
| BG15      |                           | x  | x  | x  | x  |     |     |     |     |     |     |     |     |                               | x   | x            |              |     |     |              |              |              |              |              |
| BG20      |                           | x  | x  | x  | x  |     |     |     |     |     |     |     |     |                               | x   | x            |              |     |     |              |              |              |              |              |
| BG30      |                           | x  | x  | x  | x  | x   | x   |     |     |     |     |     |     |                               | x   | x            | x            | x   |     |              |              |              |              |              |
| BG40      |                           |    | x  | x  | x  | x   | x   |     |     |     |     |     |     |                               | x   | x            | x            | x   |     |              |              |              |              |              |
| BG50      |                           |    | x  | x  | x  | x   | x   | x   |     |     |     |     |     |                               | x   | x            | x            | x   | x   | x            |              |              |              |              |
| BG60      |                           |    |    |    | x  | x   | x   | x   |     |     |     |     |     |                               |     | x            | x            | x   | x   | x            |              |              |              |              |
| BG70      |                           |    |    |    | x  | x   | x   | x   | x   | x   | x   | x   | x   | x                             |     | x            | x            | x   | x   | x            | x            | x            | x            | x            |
| BG80      |                           |    |    |    |    | x   | x   | x   | x   | x   | x   | x   | x   | x                             |     |              | x            | x   | x   | x            | x            | x            | x            | x            |
| BG90      |                           |    |    |    |    |     |     | x   | x   | x   | x   | x   | x   | x                             |     |              |              |     | x   | x            | x            | x            | x            | x            |
| BG100     |                           |    |    |    |    | x   | x   | x   | x   | x   | x   | x   | x   | x                             |     |              | x            | x   | x   | x            | x            | x            | x            | x            |
| BF06      |                           | x  | x  | x  |    |     |     |     |     |     |     |     |     |                               | x   |              |              |     |     |              |              |              |              |              |
| BF10      |                           | x  | x  | x  | x  |     |     |     |     |     |     |     |     |                               | x   | x            |              |     |     |              |              |              |              |              |
| BF20      |                           | x  | x  | x  | x  |     |     |     |     |     |     |     |     |                               | x   | x            |              |     |     |              |              |              |              |              |
| BF30      |                           | x  | x  | x  | x  | x   | x   |     |     |     |     |     |     |                               | x   | x            | x            | x   |     |              |              |              |              |              |
| BF40      |                           |    | x  | x  | x  | x   | x   |     |     |     |     |     |     |                               | x   | x            | x            | x   |     |              |              |              |              |              |
| BF50      |                           |    | x  | x  | x  | x   | x   | x   |     |     |     |     |     |                               | x   | x            | x            | x   | x   | x            |              |              |              |              |
| BF60      |                           |    |    |    | x  | x   | x   | x   |     |     |     |     |     |                               |     | x            | x            | x   | x   | x            |              |              |              |              |
| BF70      |                           |    |    |    | x  | x   | x   | x   | x   | x   | x   | x   | x   | x                             |     | x            | x            | x   | x   | x            | x            | x            | x            | x            |
| BF80      |                           |    |    |    |    | x   | x   | x   | x   | x   | x   | x   | x   | x                             |     |              | x            | x   | x   | x            | x            | x            | x            | x            |
| BF90      |                           |    |    |    |    | x   | x   | x   | x   | x   | x   | x   | x   | x                             |     |              | x            | x   | x   | x            | x            | x            | x            | x            |
| BK06      | x                         | x  | x  | x  |    |     |     |     |     |     |     |     |     |                               | x   |              |              |     |     |              |              |              |              |              |
| BK10      |                           | x  | x  | x  | x  |     |     |     |     |     |     |     |     |                               | x   | x            |              |     |     |              |              |              |              |              |
| BK20      |                           | x  | x  | x  | x  |     |     |     |     |     |     |     |     |                               | x   | x            |              |     |     |              |              |              |              |              |
| BK30      |                           | x  | x  | x  | x  | x   | x   |     |     |     |     |     |     |                               | x   | x            | x            | x   |     |              |              |              |              |              |
| BK40      |                           |    | x  | x  | x  | x   | x   |     |     |     |     |     |     |                               | x   | x            | x            | x   |     |              |              |              |              |              |
| BK50      |                           |    | x  | x  | x  | x   | x   | x   |     |     |     |     |     |                               | x   | x            | x            | x   | x   | x            |              |              |              |              |
| BK60      |                           |    |    |    | x  | x   | x   | x   |     |     |     |     |     |                               |     | x            | x            | x   | x   | x            |              |              |              |              |
| BK70      |                           |    |    |    | x  | x   | x   | x   | x   | x   | x   | x   | x   | x                             |     | x            | x            | x   | x   | x            | x            | x            | x            | x            |
| BK80      |                           |    |    |    |    | x   | x   | x   | x   | x   | x   | x   | x   | x                             |     |              | x            | x   | x   | x            | x            | x            | x            | x            |
| BK90      |                           |    |    |    |    |     |     | x   | x   | x   | x   | x   | x   | x                             |     |              |              |     | x   | x            | x            | x            | x            | x            |
| BS02      | x                         |    |    |    |    |     |     |     |     |     |     |     |     |                               |     |              |              |     |     |              |              |              |              |              |
| BS03      |                           | x  | x  |    |    |     |     |     |     |     |     |     |     |                               | x   |              |              |     |     |              |              |              |              |              |
| BS04      | x                         | x  |    |    |    |     |     |     |     |     |     |     |     |                               |     |              |              |     |     |              |              |              |              |              |
| BS06      | x                         | x  | x  | x  |    |     |     |     |     |     |     |     |     |                               | x   |              |              |     |     |              |              |              |              |              |
| BS10      |                           | x  | x  | x  | x  |     |     |     |     |     |     |     |     |                               | x   | x            |              |     |     |              |              |              |              |              |
| BS20      |                           | x  | x  | x  | x  |     |     |     |     |     |     |     |     |                               | x   | x            |              |     |     |              |              |              |              |              |
| BS30      |                           | x  | x  | x  | x  | x   | x   |     |     |     |     |     |     |                               | x   | x            | x            | x   |     |              |              |              |              |              |
| BS40      |                           |    | x  | x  | x  | x   | x   |     |     |     |     |     |     |                               | x   | x            | x            | x   |     |              |              |              |              |              |
| BM09      |                           | x  | x  | x  |    |     |     |     |     |     |     |     |     |                               | x   |              |              |     |     |              |              |              |              |              |

Bauer assumes no liability or responsibility for misprints and errors in catalogues, brochures and other printed documentation. Bauer reserves the right to make changes to products without prior notice, including to products that have already been ordered, unless contractual technical specifications are affected by such changes. All trademarks in these publications are the sole and exclusive property of the relevant companies. Bauer and the Bauer logo are trademarks of Bauer Gear Motor GmbH. All rights reserved.



www.bauergears.com  
 31 Schoolhouse Road  
 Somerset, NJ 08873 - USA  
 732-469-8770  
 Fax: 732-469-8773